

Aladdin®

EasyFit Isolator

Essential Kit
for Plumbers!

Why use the Aladdin EasyFit Isolator?

The Aladdin EasyFit Isolator clamps directly onto live pressurised pipe (hot or cold), safely providing a full bore, permanent isolation valve, no need to restrict services or freeze pipes.



COPPER PIPE



PEX PIPE



POLYBUTYLENE
PIPE



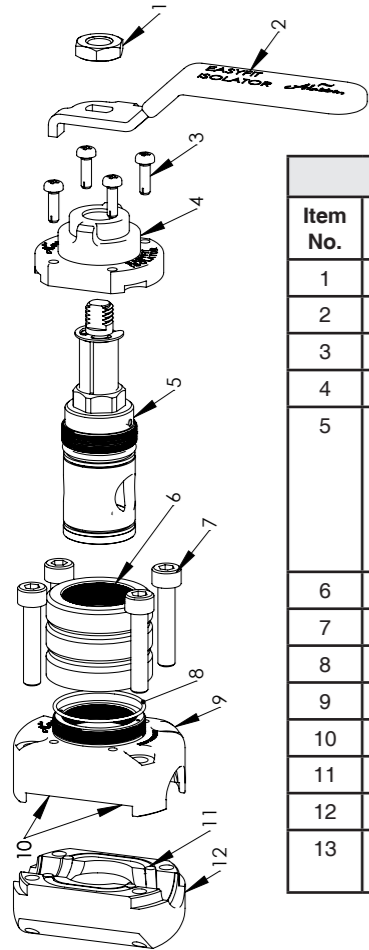
MULTI LAYER
PIPE

WRAS
1910312 APPROVED
PRODUCT

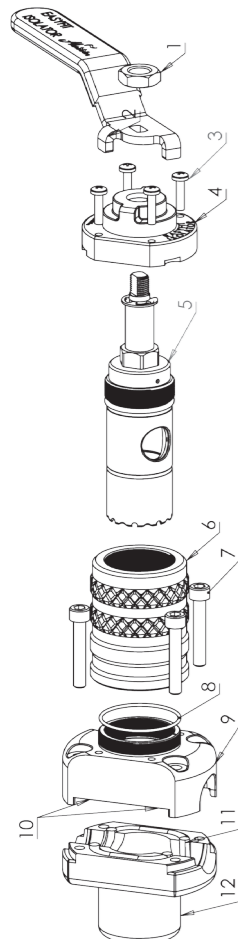
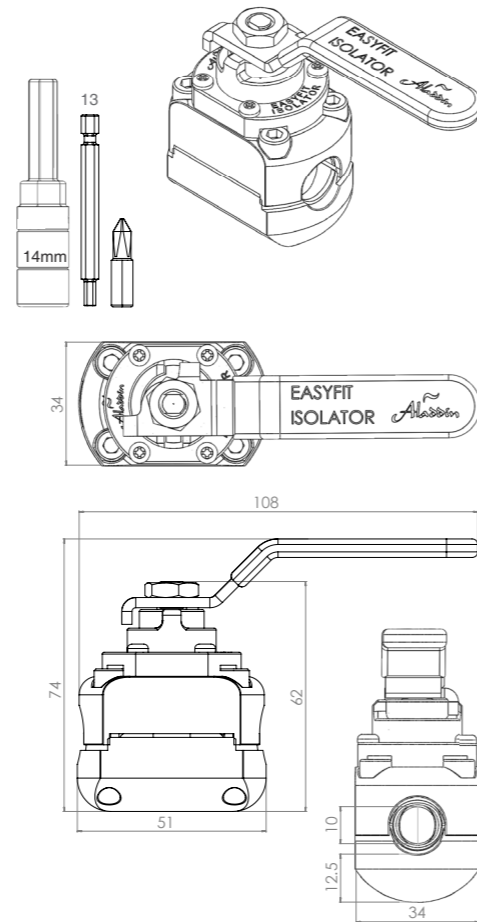


‘WRAS approved Stopcock’

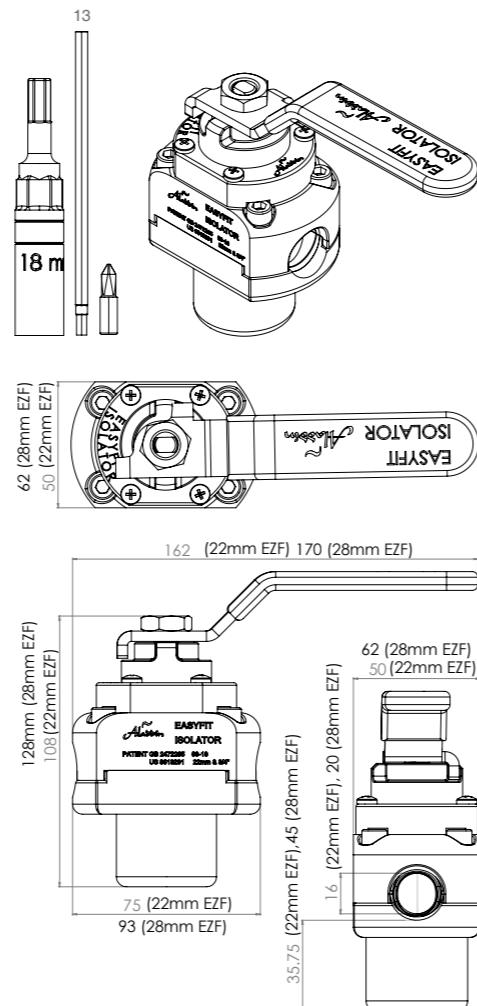
The quick-fit plumbing isolation valve for pressurised pipe



15mm Aladdin EasyFit Isolator		
Item No.	Descriptions & Materials (WRAS Approved EPDM Seals)	No. Units
1	M8* 1.25 Hex Half Nut (Stainless Steel)	1
2	Red and Blue Handle	2
3	M3 * 10 Pozi Pan - A2 SS Machine Screw	4
4	Polyacetal Plastic Cap	1
5	Plug Assembly - High Tensile Brass Plug CZ114 Boot EPDM Shore 70, O-ring 8mm id x 2cs Nitrile Shore 70, O-ring 19mm id x 1.5cs Nitrile Shore 70, Chrome Plated CZ114 Spindle, Polytube, Stainless Steel Circlip, D3 Tool Steel Blade.	1
6	Collar - Aluminium 2011 Disposable Collar	1
7	M5 * 25 Socket Cap Screws	4
8	O-ring 25 id. X 1.0 cs. Nitrile Shore 70	1
9	Upper Housing 304 Stainless Steel	1
10	Half O-rings EPDM Shore 70	2
11	Lower Gasket EPDM Shore 70	1
12	Lower Housing 304 Stainless Steel	1
13	Tool Kit - Tool Steel Long Socket, Tool Steel Hex Socket Driver Bit, Tool Steel Pozi Driver Bit	1



22mm & 28mm Aladdin EasyFit Isolator		
Item No.	Descriptions & Materials (WRAS Approved EPDM Seals)	No. Units
1	M10 x 1.5 Hex Half Nut (Stainless Steel)	1
2	Red and Blue Handle	2
3	M4 x 16 Thread Forming Screws (22mm Model) M5 x 16 Thread Forming Screws (28mm model)	4
4	Polyacetal Plastic Cap	1
5	Plug Assembly - High Tensile Brass Plug CZ114, Nitrile Boot EPDM Shore 70, O-ring 10mm id x 3cs Nitrile Shore 70 (22mm Model), O-ring 30mm id x 2cs Nitrile Shore 70 - (22mm Model), O-ring 10mm id x 3cs Nitrile Shore 70 (28mm model), O-ring 37mm id x 2cs Nitrile Shore 70 - (28mm model), Chrome Plated CZ114 Spindle, Polytube, Stainless Steel Circlip, D3 Tool Steel Blade	1
6	Collar - Aluminium 2011 Disposable Collar	1
7	M6 x 35mm Socket Cap Screws BZP M8 x 45mm Socket Cap Screws BZP	4
8	Oring 37mm id x 1.5 Nitrile Shore 70 (22mm) Oring 46mm id x 2 Nitrile Shore 70 (28mm)	1
9	Upper Housing 304 Stainless Steel	1
10	Half O-Ring Gaskets EPDM Shore 70	2
11	Lower Gasket EPDM Shore 70	1
12	Lower Housing 304 Stainless Steel	1
13	Tool Kit - Tool Steel Long Socket, Tool Steel Hex Socket Driver Bit, Tool Steel Pozi Driver Bit	1



Aladdin EasyFit Isolator: The Quick-fit Plumbing Isolation Valve for Pressurised Pipe

When to use the Aladdin EasyFit Isolator?

- As an emergency shut-off valve for leaking pipework.
- As an emergency isolator where the stop-cock is seized or inaccessible.
- To isolate a heating system component for maintenance.
- To save time on cooling, drain down, refilling and returning to de-aerate.
- Where freezing is required, “no need to freeze” use Aladdin EasyFit Isolator to save time without any disruption to services.
- As a convenience device in multi-occupancy buildings (e.g. hotels, shops and HMOs) where water supply needs to be worked on without inconveniencing other occupants.
- When Isolation is required for any water feed hot or cold.
- As a “Green” alternative, particularly to gas-freezing.
- To allow isolation in areas of a building where none exist.

BS2871/EN1057 Metric Copper pipe (15mm suitable for a maximum wall thickness of 1mm)
22 & 28mm Easyfit are also suitable for BS695 Imperial pipe

Aladdin EasyFit Isolator Specification	Copper BS2871 - EN1057	Copper BS2871 - EN1057	Plastic BS 7291
15mm (Range 14.7mm - 15.045mm)	Aladdin EasyFit Isolator WRAS Approved - On Sale Now!		
	0.7mm wall thickness	1.0 mm wall thickness	
Max Operating Pressure	16 bar	16 bar	6 bar
Max Operating Temperature	85 deg. C	85 deg. C	82 deg. C
Manufacturers Warranty	10 yr	10 yr	5 yr
Pipe Size	15mm	15mm	15mm
Pipe Cutting Force	16 Nm	30 Nm	10 Nm
Max Static Pressure Installs at	16 bar	16 bar	10 bar
Max Dynamic Pressure Installs at	6 bar at 40 lit/min	6 bar at 40 lit/min	6 bar at 40 lit/min
22mm & 3/4" (Range 21.5mm - 22.2mm)	Aladdin EasyFit Isolator WRAS Approved - On Sale Now!		
	0.9 wall thickness	1.2 wall thickness	
Max Operating Pressure	16 bar	16 bar	6 bar
Max Operating Temperature	85 deg. C	85 deg. C	82 deg. C
Manufacturers Warranty	10 yr	10 yr	5 yr
Pipe Size	22mm & 3/4"	22mm	22mm
Pipe Cutting Force	30Nm	38Nm	20Nm
Max Static Pressure Installs at	16 bar	16 bar	10 bar
Max Dynamic Pressure Installs at	3 bar at 40 lit/min	3 bar at 40 lit/min	3 bar at 40 lit/min
28mm & 1" (Range 28.0mm - 28.6mm)	Aladdin EasyFit Isolator WRAS Approved - On Sale Now!		
	0.9 wall thickness	1.2 wall thickness	
Max Operating Pressure	16 bar	16 bar	6 bar
Max Operating Temperature	85 deg. C	85 deg. C	82 deg. C
Manufacturers Warranty	10 yr	10 yr	5 yr
Pipe Size	28mm	28mm	28mm
Pipe Cutting force	38Nm	45Nm	30Nm
Max Static Pressure Installs at	16 bar	16 bar	10 bar
Max Dynamic Pressure Installs at	3 bar at 40 lit/min	3 bar at 40 lit/min	3 bar at 40 lit/min